

Name

Class

MATHS TEACHER HUB

www.MathsTeacherHub.com

Volume

(9 – 1) Topic booklet

These questions have been collated from previous years GCSE Mathematics papers.

You must have: Ruler graduated in centimetres and millimetres, protractor, pair of compasses, pen, HB pencil, eraser.

Total Marks

Instructions

- Use **black** ink or ball-point pen.
- Fill in the boxes** at the top of this page with your name, centre number and candidate number.
- Answer **all** questions.
- Answer the questions in the spaces provided
– *there may be more space than you need.*
- Diagrams are NOT accurately drawn, unless otherwise indicated.
- You must **show all your working out.**
- If the question is a **1F** question you are not allowed to use a calculator.
- If the question is a **2F** or a **3F** question, you may use a calculator to help you answer.

Information

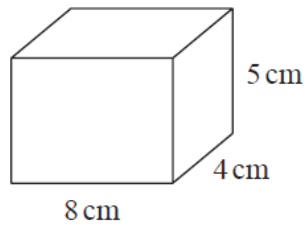
- The marks for **each** question are shown in brackets
– *use this as a guide as to how much time to spend on each question.*

Advice

- Read each question carefully before you start to answer it.
- Keep an eye on the time.
- Try to answer every question.
- Check your answers if you have time at the end.

Answer ALL questions
Write your answers in the space provided.
You must write down all the stages in your working.

11 Here is a cuboid.



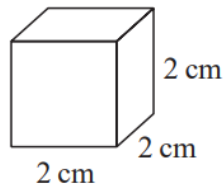
Work out the volume of the cuboid.

..... cm³

November 2022 – 3F

(Total for Question 11 is 2 marks)

12 The diagram shows a cube of side length 2 cm.



Vera says,

“The volume of any solid made with 6 of these cubes is 48 cm^3 ”

(a) Is Vera correct?

You must show your working.

.....

.....

(2)

(b) (i) Draw a cuboid that can be made with 6 of these cubes.
Write the dimensions of the cuboid on your diagram.

(1)

(ii) Work out the surface area of your cuboid.

..... cm^2
(2)

13 The total surface area of a cube is 294 cm^2 .

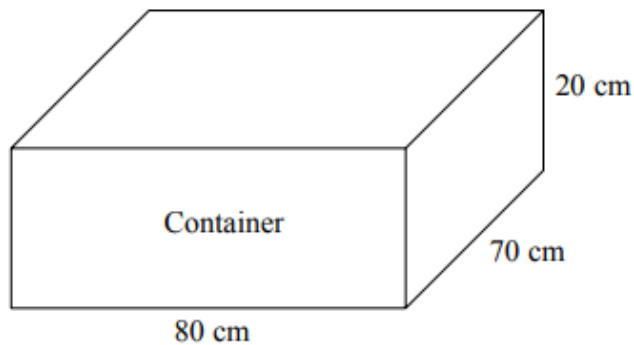
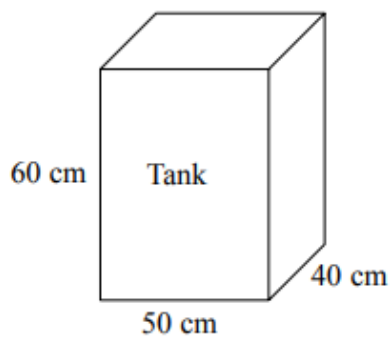
Work out the volume of the cube.

..... cm^3

November 2017 – Paper 1F

(Total for Question 13 is 4 marks)

- 14** The diagram shows a tank in the shape of a cuboid.
It also shows a container in the shape of a cuboid.



The tank is full of oil.
The container is empty.

35% of the oil from the tank is spilled.
The rest of the oil from the tank is put into the container.

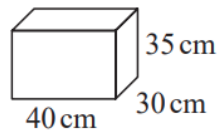
Work out the height of the oil in the container.
Give your answer to an appropriate degree of accuracy.

..... cm

16 Chloe has a van.

She is going to use the van to deliver boxes.

Each box is a cuboid, 40 cm by 30 cm by 35 cm.



The space for boxes in the van has

maximum length	2.4 m
maximum width	1.5 m
maximum height	1.4 m

The space for boxes is empty.

Chloe wants to put as many boxes as possible into the van.

She can put 3 boxes into the van in one minute.

Assume that the space for boxes is in the shape of a cuboid.

- (a) Work out how many minutes it should take Chloe to put as many boxes as possible into the van.

..... minutes

(4)

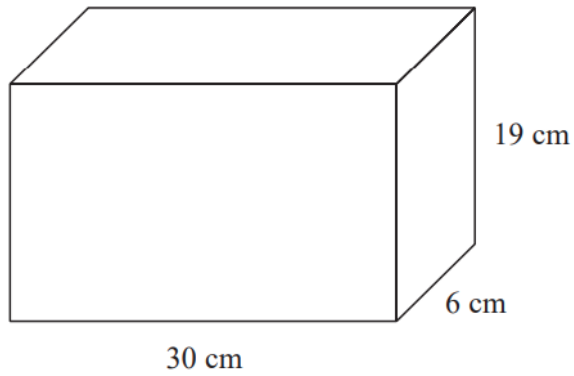
The space for boxes might **not** be in the shape of a cuboid.

- (b) Explain how this could affect the time it would take Chloe to put as many boxes as possible into the van.

.....
.....

(1)

23 A container is in the shape of a cuboid.



The container is $\frac{2}{3}$ full of water.

A cup holds 275 ml of water.

What is the greatest number of cups that can be completely filled with water from the container?

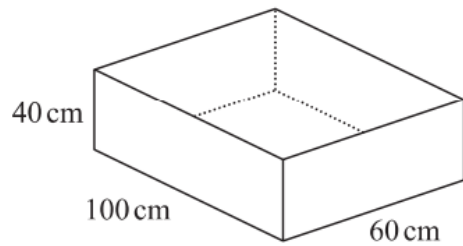
24 The diagram shows a sand pit.
The sand pit is in the shape of a cuboid.

Sally wants to fill the sand pit with sand.
A bag of sand costs £2.50
There are 8 litres of sand in each bag.

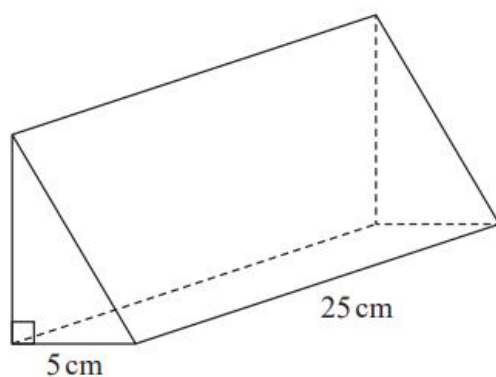
Sally says,

“The sand will cost less than £70”

Show that Sally is wrong.



25 The diagram shows a prism.



The cross section of the prism is a right-angled triangle.

The base of the triangle has length 5 cm

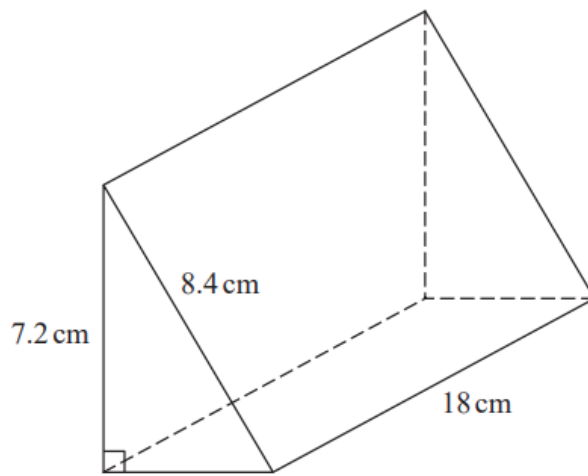
The prism has length 25 cm

The prism has volume 750 cm^3

Work out the height of the prism.

..... cm

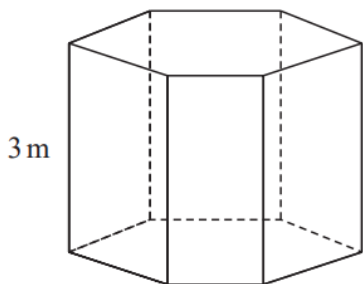
26 Here is a triangular prism.



Work out the volume of the prism.
Give your answer correct to 3 significant figures.

..... cm³

27 The diagram shows a prism placed on a horizontal floor.



$$\text{pressure} = \frac{\text{force}}{\text{area}}$$

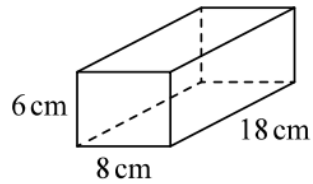
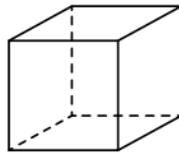
The prism has height 3 m
The volume of the prism is 18 m^3

The pressure on the floor due to the prism is 75 newtons/m^2

Work out the force exerted by the prism on the floor.

..... newtons

29 The diagram shows a cube and a cuboid.



The total surface area of the cube is equal to the total surface area of the cuboid.

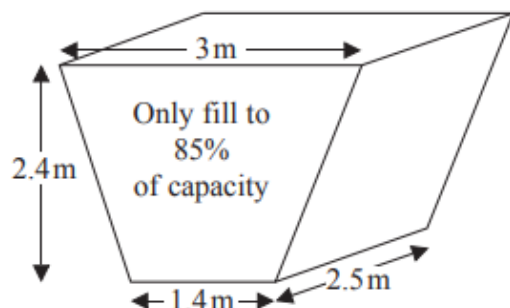
Janet says,

“The volume of the cube is equal to the volume of the cuboid.”

Is Janet correct?

You must show how you get your answer.

- 29 The diagram shows an oil tank in the shape of a prism.
The cross section of the prism is a trapezium.



The tank is empty.

Oil flows into the tank.

After one minute there are 300 litres of oil in the tank.

Assume that oil continues to flow into the tank at this rate.

- (a) Work out how many **more** minutes it takes for the tank to be 85% full of oil.
($1 \text{ m}^3 = 1000 \text{ litres}$)

..... minutes
(5)

The assumption about the rate of flow of the oil could be wrong.

- (b) Explain how this could affect your answer to part (a).

.....
.....
(1)